

Research for Frequency Products

Description

Time Base Frequency 32768Hz (2×10^{15}) tuning fork Quartz Crystal Unit. SEAM seal ceramic package under vacuum environment. This crystal is suitable for RTC, Smart Meter, AIoT, Wearables, Watches, Tablet. Parabolic curve of temperature co-efficient. Parts are supplied 3000pcs in tape and reel as standard.

Features

SMD Ceramic type for high population assembly
Ultra light weight and thin package
High stable with vacuum sealing
RoHS Complaint

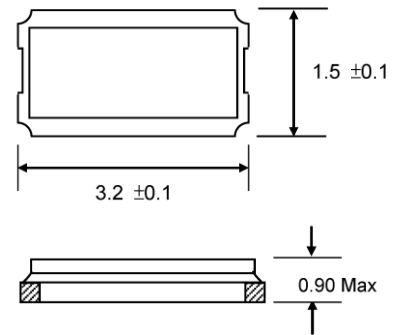
Standard Parameters

Parameter	Specifications
Frequency Range	32.768KHz
Vibration Mode	Fundamental
Frequency Tolerance @25°C	±20ppm
Frequency Stability vs Temp Range	-0.04ppm/°C ² Max.
Operating Temp. Range	-20~+70 °C or -40 ~ +85°C
Load Capacitance	6, 7, 9, 12.5pF or Specify
Drive Level	1.0μW Max.
Shunt Capacitance	2.0pF Max.
Equivalent Series Resistance	70,000Ω Max.
Aging per year	±3ppm
Storage Temp. Range	-40 ~ 125 °C

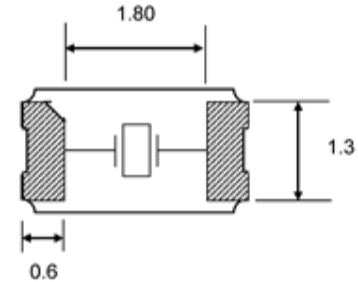
Quartz Crystal Tuning Fork
SMD 3.2x1.5x0.9mm
32.768KHz



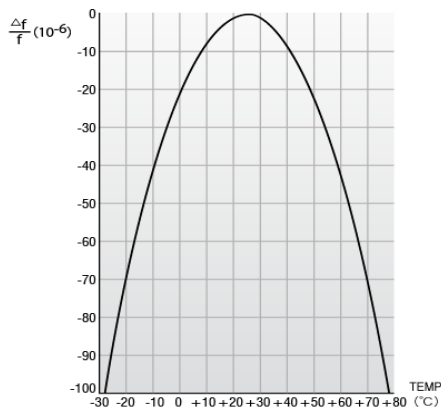
Outline and Dimensions



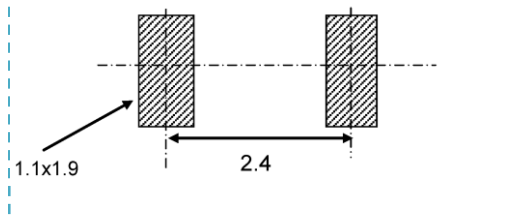
Bottom View



Frequency vs Temp. Deviation Characteristics



Land Pattern



LINE TECH

www.32768khz.com

(852) 24109799

sales7@32768khz.com

Subject to change without notice