

## Research for Frequency Products

### Description

Time Base Frequency 32768Hz ( $2 \times 10^{15}$ ) tuning fork Quartz Crystal Unit. SEAM seal ceramic package under vacuum environment. This crystal is suitable for RTC, Smart Meter, AIoT, Wearables, Watches, Tablet. Parabolic curve of temperature co-efficient. Parts are supplied 3000pcs in tape and reel as standard.

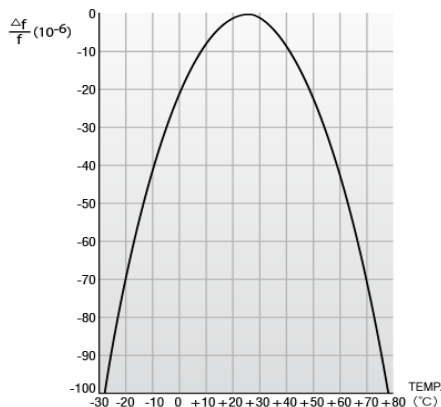
### Features

SMD Ceramic type for high population assembly  
Ultra light weight and thin package  
High stable with vacuum sealing  
**RoHS Complaint**

### Standard Parameters

Parameter	Specifications
Frequency Range	32.768KHz
Vibration Mode	Fundamental
Frequency Tolerance @25°C	±20ppm
Frequency Stability vs Temp Range	-0.04ppm/°C <sup>2</sup> Max.
Operating Temp. Range	-20~+70 °C or -40 ~ +85°C
Load Capacitance	6, 7, 9, 12.5pF or Specify
Drive Level	1.0µW Max.
Shunt Capacitance	2.0pF Max.
Equivalent Series Resistance	90,000Ω Max.
Aging per year	±3ppm
Storage Temp. Range	-40 ~ 125 °C

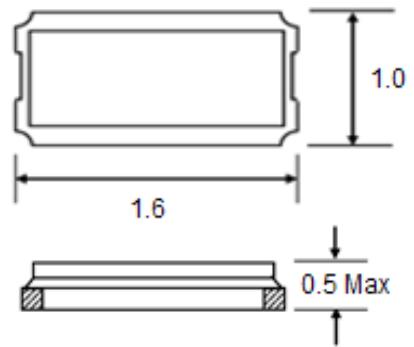
### Frequency vs Temp. Deviation Characteristics



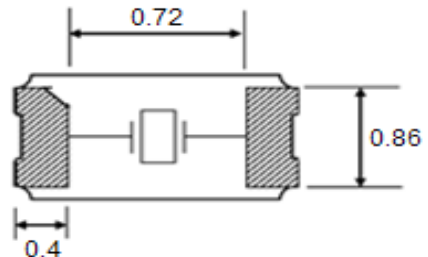
**Quartz Crystal Tuning Fork**  
SMD 1.6x1.0x0.5mm  
32.768KHz



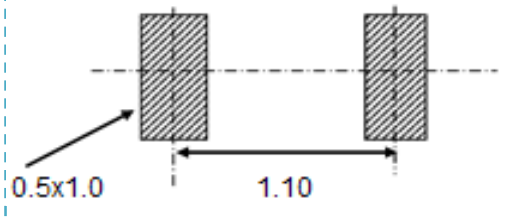
### Outline and Dimensions



### Bottom View



### Land Pattern



## LINE TECH

[www.32768khz.com](http://www.32768khz.com)

(852) 24109799

[sales7@32768khz.com](mailto:sales7@32768khz.com)

Subject to change without notice